

E385C E485C



	E385C NRC	E485C NRC
ENGINE POWER	200 kW - 268 hp	257 kW - 345 hp
MAX OPERATING WEIGHT	36453 Kg	51100 Kg
BUCKET CAPACITY	0.74 m ³ - 2.10 m ³	1.66 m ³ - 2.60 m ³



BUILT AROUND YOU

AS LONG AS MAN SHAPES MATERIALS, W

**POWER AND
FAST CYCLES**

FUEL EFFICIENCY



E WILL PROVIDE THE TOOLS

**EVOLUTION
IN COMFORT
AND SAFETY**

**BUILT IN
RELIABILITY AND
DURABILITY**



THE MAIN COMPONENTS OF OUR CRA

1 HEAVY-DUTY DESIGN

The E385C and E485C are designed to deal with the most demanding applications and harshest conditions, with the heavy-duty undercarriage, boom and arm, and standard arm protection. For the toughest jobs, especially intensive hammer usage, the new E385C features XD (extreme duty) arms. The undercarriage components and X-frame structure have been reinforced for greater durability.

2 HIGH HORSEPOWER AND MAXIMUM RELIABILITY

The engines of the E385C and E485C pack a powerful performance with 268 hp and 345 hp respectively. The machine can be equipped with tropical kit.



WLER EXCAVATOR

3

INTELLIGENT HYDRAULICS

New Holland's Hydrotronic combines highly advanced electronic technology with a sophisticated hydraulic system, and to maximise performance according to the job at hand. The new ECO working mode optimises fuel consumption while maintaining top performance.

4

NEW EVO CAB

The EVO cab provides the ultimate comfortable and safe work environment with exceptional all-round visibility and remarkably low noise and vibration levels

3

4

2

POWER AND FAST CYCLES



HEAVY DUTY FOR PRODUCTIVITY

The E385C and E485C are the ideal heavy duty machines, delivering superior digging performances and higher productivity in the toughest applications, for a higher return on your investment.

DYNAMIC STABILITY

The heavy-duty design matches the machine's powerful performance. The long, heavy-duty undercarriage provides exceptional dynamic stability, for a safe and productive performance on all terrains. The E485C's "X" design undercarriage features a standard variable gauge system for easy transport, as it can reduce its maximum width by up to 500 mm.

SUPERIOR PERFORMANCE

The exceptional stability and optimal weight distribution enable the operator to make the most of the C Series superior breakout force and lifting capacity. The Continuous Power Boost delivers extra power as and when needed, raising hydraulic pressure.

MASS EXCAVATION

The Bulk Excavator Heavy (BEH) configuration features a shorter monoboom and powered bucket linkage geometry resulting in greater stability and higher breakout force, averaging + 3% with or without powerboost for bucket and dipperstick. A bigger bucket is available for the E385C BEH and E485C BEH (2.1 m³ and 2.6 m³ respectively) resulting in +18% in volume of material moved in each cycle.

TOP PERFORMANCE IN ALL WORKING CONDITIONS

The Hydrotronic combines advanced electronic technology that provides full just-in-time control of all machine functions with a sophisticated high-efficiency hydraulic system. It continuously optimises hydraulic output according to the operator's demands for the job at hand.



A PERFECT COMBINATION OF SPEED, EFFICIENCY AND CONTROL

SPEED AND CONTROL WITH D.O.C.

With the Dipperstick Optimized Control (D.O.C.), the excavator works with two pumps to ensure the operator always has the flow and speed he needs. The Hydrotonic continuously adjusts the flow and speed to match the requirements, ensuring a smooth transition when switching from lighter work to heavy digging.

SPEED AND EFFICIENCY WITH CONFLUX

The Conflux automatic hydraulic regeneration feature diverts unused oil to feed the cylinder that needs it. This process is faster and more energy efficient than re-pumping oil, resulting in faster “dipper in” movement and greater efficiency.

FAST CYCLE TIME

The integrated swing priority ensures a seamless transition of additional pump power to the swing function when needed.



FLEXIBILITY AND VERSATILITY

The new generation Advanced Electronic Processor (A.E.P.) provides highly responsive controls and delivers extra power when needed. The operator can easily monitor and select the main working parameters, maintenance notifications, self diagnosis and operating data storage. Attachment management is extremely versatile, as the operator can adjust flow and pressure with up to 20 attachment pre-settings.

SMOOTH OPERATION

The high-efficiency hydraulics and new joysticks result in smooth operation and outstanding control, especially during simultaneous operation, leveling and other tasks requiring high precision. The optional Hydraulic Proportional Controls (HPC) further increase productivity and reduce operator fatigue.

EFFICIENCY



HIGH-EFFICIENCY HYDRAULICS

The new and improved hydraulic system minimizes friction losses and pressure drops, while the Hydrotronic advanced electronic technology ensures 100 per cent pump utilization in all applications. The result: maximum controllability, speed and power combined with minimum fuel consumption.



ENGINE AND HYDRAULIC POWER: THE PERFECT MATCH

The high-efficiency hydraulics supply high flow at low rpm, maximising fuel efficiency. In addition, the Hydrotonic optimises the performance and efficiency of the machine by maintaining engine speed at the required level and preventing it from dropping. It reduces pump displacement in case of overload and continuously adjusts oil flow to avoid overloading the engine or the pumps.

OPTIMISE EFFICIENCY WITH WORKING MODES

H Heavy-duty working mode for maximum speed and productivity

S Standard mode for performance and fuel savings

E Eco mode for optimised fuel consumption

TAKE CONTROL OF YOUR MACHINE'S EFFICIENCY

The new multifunctional monitor puts the operator in full control of the machines' efficiency



FUEL EFFICIENCY

The engine speed sensing control matches engine and hydraulic power to prevent engine speed from dropping and optimise fuel consumption.

The Auto Idling fully automatic switchable auto-deceleration system activates after 5 seconds of operator inactivity, reducing fuel usage.

A COMMITTED PARTNER



LEADER IN SUSTAINABILITY

New Holland's extensive offering of low emissions products, our continued focus on reducing our environmental footprint throughout our products' entire life cycle and our involvement in the community have contributed to our parent company, CNH Industrial, being recognised as Industry Leader by the Dow Jones Sustainability Index (DJSI) World and DJSI Europe. These prestigious equity indexes only admit companies that are best-in-class in managing their businesses, from an economic, social and environmental perspective. CNH Industrial received a score of 88/100 compared to an average of 49/100 for all companies in its sector, and was awarded first place.



SAFE OBJECT HANDLING

The optional Object Handling Kit is available, for maximum operator confidence. The Heavy Lift function provides additional lifting capacity and more precision during load placement, which add up to safer operation.



EVOLUTION IN SAFETY

The optional available reinforced structure of the cab complies with ROPS and FOPS standards.

Together with the optional front guard it provides a safe working environment for the operator.

ROPS certified cab - ISO 12117-2

FOPS protection - ISO 10262 level 2

NEW EVO CAB

The EVO cab provides the ultimate comfortable and safe work environment with exceptional all-round visibility and remarkably low noise and vibration levels.



EXCELLENT ALL-ROUND VISIBILITY

The EVO cab is designed to maximize visibility, with a full size right window and optional rear-view camera.

WELCOME ON BOARD



EVOLUTION IN COMFORT

The spacious EVO cab is designed to maximise the operator's comfort and performance. All switches and controls are ergonomically positioned on the right side, easy to find and to reach; opening and closing the front window is easy with the one-touch lock release; and the extra wide door provides easy access.

A FULLY ADJUSTABLE WORKSTATION

The seat is adjustable in all directions, independently or with the side consoles. The armrests, integrated in the side consoles, can be placed in four different positions and inclined, enabling the operator to tailor the workstation for maximum convenience and comfort. The optional air-suspension seat with heated cushion can add further to the operator's comfort.

SUPERIOR OPERATOR ENVIRONMENT

Long working days will feel shorter with the new radio with Bluetooth and USB, and the automatic air-conditioning system.



LOW VIBRATION AND NOISE LEVEL

The six silicon liquid filled viscous dampers and enhanced soundproofing of the EVO cab result in remarkably low noise and vibration levels, adding to the operator's comfort and reducing fatigue.

OUTSTANDING VISIBILITY

The EVO cab provides excellent all-round visibility, with a full size right window and optional rear-view camera. The new standard skylight with sunshade provides a clear view to overhead obstacles.

EASY TO OPERATE

The new multifunctional monitor is easy to read with a full-color screen dedicated to the rear wide-angle camera. The operator can set service interval reminders for engine oil, hydraulic oil, fuel and filters. The auxiliary hydraulics can be adjusted from the control monitor to match pressure and flow to the attachment. Self-diagnostics with fault code memory make it easy to check and adjust system pressures, engine speed, travel speed, hydraulic pressure and other operating functions. Work and attachment modes are easy to select and are clearly displayed on the monitor.

BUILT-IN SERVICEABILITY AND RELIA



DESIGNED TO CUT OPERATING COSTS

The side-by-side radiator layout improves cooling performance and is exceptionally easy to clean. Ground access to all daily service points and easy-to-change engine oil and fuel filters contribute to maximising the machine's uptime.



SERVICE POINTS AT GROUND LEVEL

The engine oil filter, fuel filter and water separator, which removes contaminants and water, are key for good engine performance and durability. They are remote mounted and easy to reach from ground level for easy maintenance.



CENTRALISED LUBRICATION

Grouped and centralised greasing points make it easy to grease from ground level all boom wear points. For the E485C a standard automatic centralised lubrication system which can be programmed in advance in terms of timing, frequency and quantity of grease released, grants the necessary lubrication of all specific points.

LONG-LIFE HYDRAULIC OIL

The long-life hydraulic oil has excellent anti-emulsion characteristics as well as an optimised mix of anti-wear and anti-oxidants additives that extend service intervals to 5000 hours, resulting in an impressive reduction in operation costs and environmental impact.



HEAVY-DUTY ARM AND ARM PROTECTION

Booms and arms were designed using advanced CAD and FEM (Finite Elements Methodology) Systems to maximise strength in those areas where stresses are concentrated. The result is a strong Heavy Duty front attachment that can deal with the toughest applications. In addition, the E385C features XD (extreme duty) arms that come as standard for the Bulk Excavator Heavy (BEH) configuration and optional for the EL/LC versions. The XD arms are recommended especially for intensive hammer usage. A standard arm protection is available to further extend durability.

BUCKET LINKAGE WITH DOUBLE BUSHING

Additional external bushings made of anti-wear steel provide extra protection to the arm and bucket's long-life internal bushing. When the radial surface becomes worn, these bushings are easy to change, increasing pin and bushing durability while reducing operating costs.

BUILT TO LAST

The undercarriage components and X-frame structure have been reinforced for greater durability with rollers, sprockets and travel motors sealed for a long life.

The two track frames come with standard track guides (1 for the E385C and 2 for the E485C). Additional track guides are also available as an option for work in particularly uneven or rocky terrain. They help keep the chains on the rollers and protect them, ensuring greater durability, efficiency and safety.



E385C

SPECIFICATIONS



ENGINE

ENGINE EGR-Less (Not Tier Certified)
 Make and modelHINO EB-J08E- UN
 Engine Power (ISO 14396/ECE R120).....200 kW / 268 hp (2100 rpm)
 Maximum torque.....998 Nm (1600 rpm)
 Typediesel electric common rail, direct injection, intercooler turbocharger
 Displacement7.684 l
 N. of cylinders6
 Bore x stroke112 x 130 mm
 Remote engine oil filter for easy replacement
 Electronic engine rpm control, dial type
 Auto-Idling selector returns engine to minimum rpm when all controls are in neutral position
 ° Outside temperature start as standard equipment
 Hot climate (AME version with tropical kit)..... -25°/+45° (EGR Less / Not Tier Certified)



ELECTRICAL SYSTEM

Voltage / Alternator24V / 70 A
 Starter motor5 kW
 Maintenance-free batteries.....2 x 12V / 160 Ah



TRANSMISSION

Typehydrostatic, two-speed, Automatic DownShift
 Travel motorsaxial piston type, double displacement
 Brakes.....automatic discs type
 Final drive.....oil bath, planetary reduction
 Gradeability70% (35°)
 Travel speedslow 0 - 3.3 km/h / high 0 - 5.6 km/h
 Drawbar pull.....321 kN



UNDERCARRIAGE

X-frame undercarriage design
 Reinforced track HD chain with sealed bushing

	E385C EL/BEH	E385C LC
Track rollers (each side)	9	9
Carrier rollers (each side)	2	2
Length of track on ground (mm)	4050	4050
Gauge (mm)	2390	2590
Shoes (mm)	600-700	600-700
	800	800-900

Shoe typeTractor type triple grouser shoe
 No. for each side.....48
 Height of grouser shoe.....30 mm



HYDRAULIC SYSTEM

High capacity double pumps with electronic delivery adjustment.
 Variable displacement pistons pumps revert in neutral automatically to zero. Main Control Valve with Fail Safe Function and Anti drift valve.
 H.A.O.A. (Hydrotronic Active Operation Aid)
 E.S.S.C. (Engine Speed Sensing Control)
 D.O.C. (Dipper Optimised Control)
 C.P.B. (Continuous Power Boost)
 New generation A.E.P. (Advanced Electronic Processor)

3 working Modes

H Mode - Heavy duty excavation work
 S Mode - Standard digging and loading work
 E Mode - Fuel Economy

Attachments Modes

Breaker (One-way hydraulic flow)
 Nibbler (Two-way hydraulic flow)
 Attachments flow and pressure setting from cab, 20 presets storage

Hydraulic pump

Max flow at rated engine speed.....2 x 294 l/min
 Piloting circuit gear type pump.....max 20 l/min

Directional control valves

Type8-spool valve

System Pressures

Boom, Arm&Bucket34.3 MPa
 with Power Boost37.8 MPa
 Travel34.3 MPa
 Swing29 MPa
 Pilot control Circuit.....5 MPa



CAPACITIES

Engine oil28.5 l
 Fuel tank.....580 l
 Hydraulic system (included 245 l tank)413 l
 Cooling system.....28.9 l



SWING

Swing motor.....axial piston type
 Swing brakehydraulic brake
 Swing speed.....0-10 rpm



CAB AND CONTROLS

Operator's cab

StructureFully enclosed steel structure
 EVO operator cab.....evolution in comfort and safety.
 Optional can be compliant to ROPS (ISO 12117-2) and FOPS (ISO 10262 level II) standards
 Rear cameraoptional
 Monitor.....integrated multi-function control monitor with integrated rear view camera display (if opt. selected)

Operator's seat

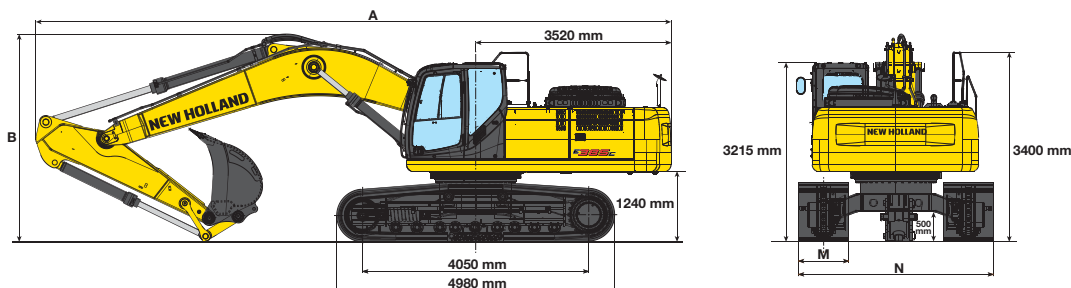
Operator's seatAdjustable and reclining device

Operation

Engine controlRotary - type electric throttle
 TravelTwo hand levers or two foot pedals for forward and backward operations of each track independently
 Excavating and swingTwo hand levers for four operations

DIMENSIONS - MONOBOOM

Boom length 6.55 m



EL / LCVERSION

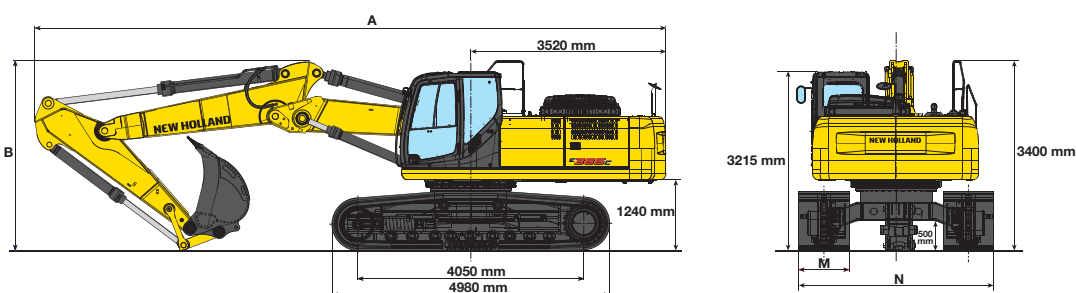
ARM		2330	2600	3300	4150
A - Overall length	mm	11380	11290	11190	11230
B - Boom height in transport position	mm	3720	3720	3460	3600
Overall height	mm	3720	3720	3460	3600

OPERATING WEIGHT - MONOBOOM

		ELVERSION			LC VERSION			
M - Shoe width	mm	600	700	800	600	700	800	900
N - Maximum width	mm	2990	3090	3190	3190	3290	3390	3490
Operating weight*	kg	35550	36010	36500	35630	36090	36580	37070
Ground pressure*	bar	0.72	0.62	0.55	0.720	0.62	0.55	0.50

* 2600 mm arm

DIMENSIONS - TRIPLE ARTICULATION



EL / LCVERSION

ARM		2330	2600	3300	4150
A - Overall length	mm	11320	11200	11170	11180
B - Boom height in transport position	mm	3410	3440	3400	3700
Overall height	mm	3410	3440	3400	3700

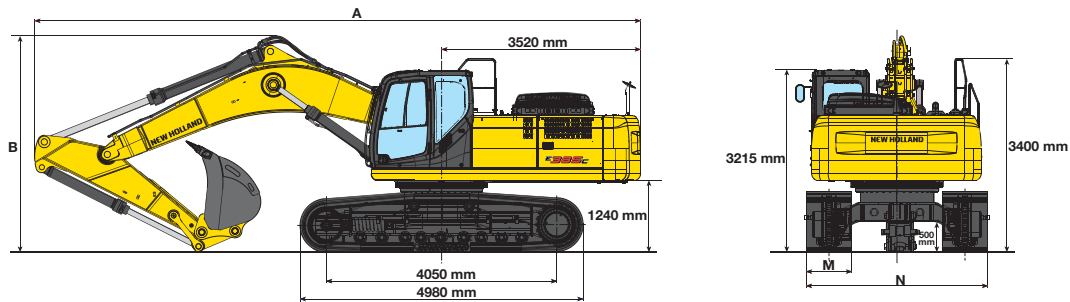
OPERATING WEIGHT - TRIPLE ARTICULATION

		ELVERSION			LC VERSION			
M - Shoe width	mm	600	700	800	600	700	800	900
N - Maximum width	mm	2990	3090	3190	3190	3290	3390	3490
Operating weight*	kg	36250	36710	37200	36330	36800	37290	37780
Ground pressure*	bar	0.73	0.63	0.56	0.73	0.63	0.56	0.51

* 2600 mm arm

DIMENSIONS - BEH

Boom length 5.775 m



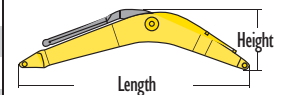
ARM		2150
A - Overall length	mm	10650
B - Boom height in transport position	mm	3810
Overall height	mm	3810

OPERATING WEIGHT - BEH

		EL VERSION		
M - Shoe width	mm	600	700	800
N - Maximum width	mm	2990	3090	3190
Operating weight	kg	35500	35960	36450
Ground pressure	bar	0.72	0.62	0.55

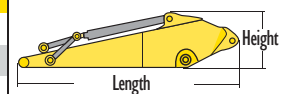
COMPONENT WEIGHTS & DIMENSIONS

BOOM		MONO BOOM 6.55 m	TRIPLE ART.	BEH 5.775 m
Length	m	6.80	6.700	6.020
Height	m	1.7	1.420	1.840
Width	m	0.830	0.830	0.830
Weight*	kg	3174	3884	3054



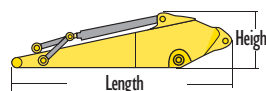
MONOBOOM - TRIPLE ARTICULATION EL / LCVERSION

ARM		2330	2600	3300	4150
Length	m	3.590	3.820	4.480	5.350
Height	m	1.180	1.130	1.0	1.0
Width	m	0.450	0.450	0.450	0.450
Weight*	kg	1345	1355	1495	1835



BEHVERSION

ARM		2150
Length	m	3.370
Height	m	1.170
Width	m	0.470
Weight*	kg	1320

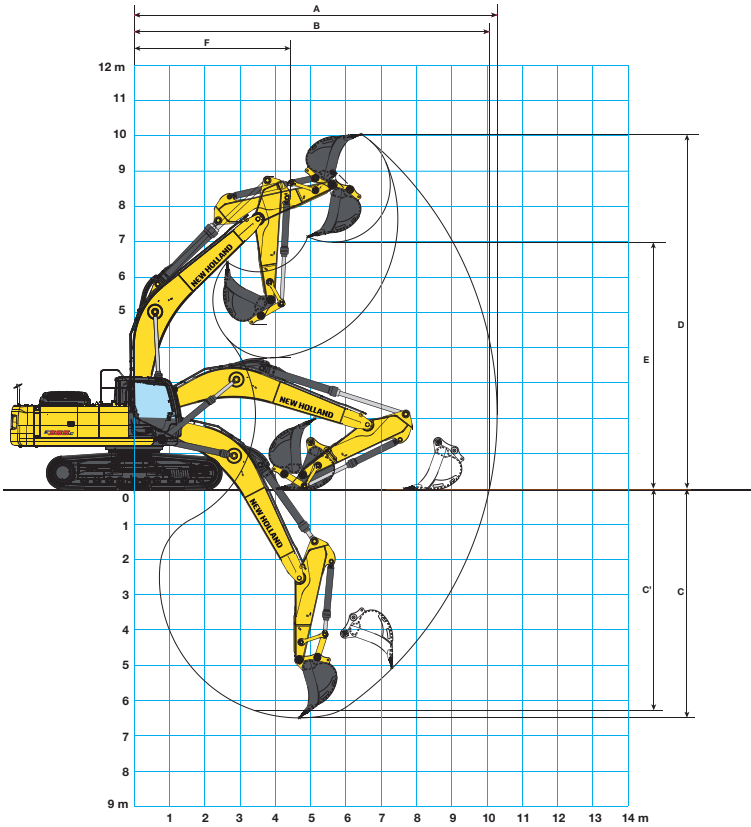


Counterweight	kg	8800
---------------	----	------

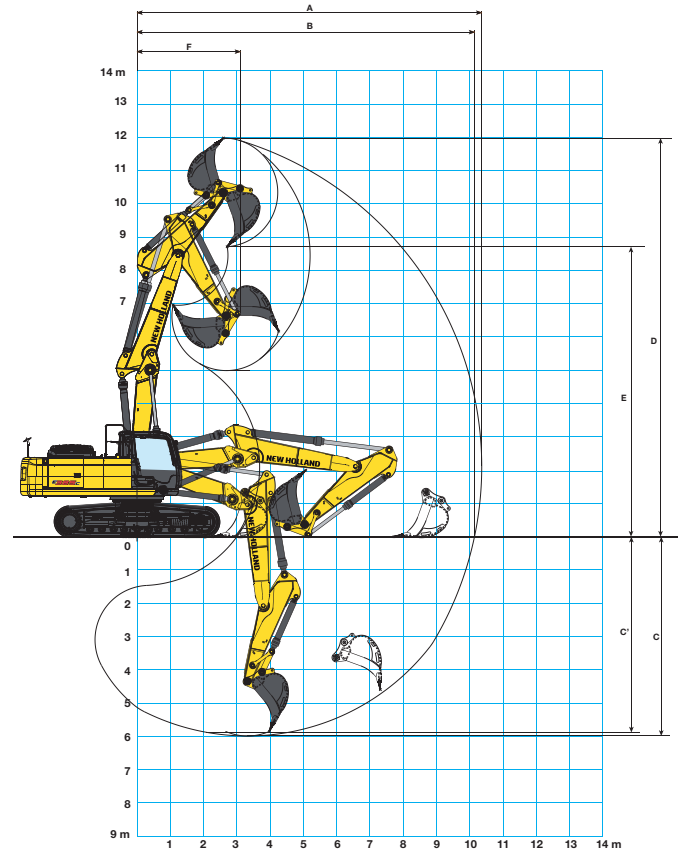
E385C

DIGGING PERFORMANCE

MONOBOOM



TRIPLE ARTICULATION



ARM		MONOBOOM				TRIPLE ARTICULATION				BEH
		2330	2600	3300	4150	2330	2600	3300	4150	2150
A - Max. digging reach	mm	10290	10560	11200	11920	10360	10630	11310	12060	9450
B - Max. digging reach at ground level	mm	10070	10340	11000	11730	10150	10420	11105	11880	9210
C - Max. digging depth	mm	6500	6770	7470	8320	5990	6270	6960	7760	5640
C' - 2,4 mt level digging depth	mm	6290	6580	7310	8180	5580	6160	6860	7680	5440
D - Max. digging height	mm	10050	10240	10570	10680	11980	12230	12820	13380	9710
E - Max. dumping clearance	mm	6990	7160	7460	7620	8720	8980	9560	10120	6470
F - Min. swing radius	mm	4430	4460	4370	4430	3110	3100	2850	3050	3830

BREAKOUT FORCE - ISO 6015

ARM		MONOBOOM / TRIPLE ARTICULATION				BEH
		2330	2600	3300	4150	2150
Bucket	daN	24310	24120	24120	24120	24360
Arm	daN	23660	20880	16960	14426	25000

WITH "POWER BOOST" ON

ARM		MONOBOOM / TRIPLE ARTICULATION				BEH
		2330	2600	3300	4150	2150
Bucket	daN	26050	25840	25840	25840	26100
Arm	daN	25350	22370	18170	15460	26790

LIFTING CAPACITY - BEH VERSION

MONO BOOM - DIPPERSTICK 2150 mm

HEIGHT	RADIUS OF LOAD														
	1.5 m		3.0 m		4.5 m		6.0 m		7.5 m		AT MAX REACH		REACH m		
	FRONT	SIDE	FRONT	SIDE	FRONT	SIDE	FRONT	SIDE	FRONT	SIDE	FRONT	SIDE			
+7.5 m													10,00*	10,00*	5,95
+6.0 m							10,1*	10,1*					9,8*	8,7*	7,04
+4.5 m					13,3*	13,3*	11,1*	10,3					9,9*	7,5	7,68
+3.0 m					16,2*	14,6	12,4*	10,1	10,5*	7,5			10,1*	6,9	8,00
+1.5 m					18,4	14,0	13,6*	9,6	11,0*	7,3			10,3	6,7	8,02
0 m			18,6*	18,6*	19,1*	13,5	14,1*	9,3	11,2	7,1			10,7	6,9	7,76
-1.5 m	20,1*	20,1*	25,5*	25,5	18,4*	13,5	13,8*	9,3					11,3*	7,5	7,17
-3.0 m			21,6*	21,6*	16,1*	13,7	12,1*	9,4					11,7*	9,1	6,16
-4.5 m													11,3*	11,3*	4,47

All the lift capacity values are in tonnes and without bucket

As per ISO 10567 the indicated load is no more than 87% of hydraulic system lifting capacity or 75% of static tipping load. Values marked with an asterisk are limited by the hydraulic system.

MONOBOOM / TRIPLE ARTICULATION

BUCKETS			E385C EL				E385C LC			
Width mm	Capacity (ISO 7451) m ³	Weight kg	Arm mm				Arm mm			
			2330	2600	3300	4150	2330	2600	3300	4150
850	0.735	892								
1000	0.91	947								
1200	1.25	1069								
1350	1.60	1143								
1500	1.60	1248								
1700	1.85	1373								

BEH

BUCKETS			E385C BEH
Width mm	Capacity (ISO 7451) m ³	Weight kg	Arm mm
			2150
850	0.735	892	
1000	0.91	947	
1200	1.25	1069	
1350	1.60	1143	
1500	1.60	1248	
1700	1.85	1373	
1830	2.10	1390	

- General digging work (specific weight of material < 1.8 t/m³)
- Slightly heavy digging work (specific weight of material < 1,5 t/m³)
- Loading work (specific weight of material < 1,2 t/m³)



E485C

SPECIFICATIONS



ENGINE

Make and model HINO EB-P11C-UP
Engine Power (ISO 14396) 271 kW / 364 hp (1850 rpm)
Maximum torque 1417 Nm (1400 rpm)
Type Water-cooled, direct injection type diesel engine with intercooler turbo-charger
Displacement 10.5 l
N. of cylinders 6
Bore x stroke 122 x 150 mm
Remote engine oil filler for easy replacement
Electronic engine rpm control, dial type
Auto-Idling selector returns engine to minimum rpm when all controls are in neutral position
- ° Outside temperature
Hot climate (AME version with tropical kit) -25°/+45°
(EGR Less / Not Tier Certified)



ELECTRICAL SYSTEM

Voltage / Alternator 24V / 70 A
Starter motor 6 kW
Maintenance-free batteries 2 x 12V / 160 Ah



TRANSMISSION

Type hydrostatic, two-speed, Automatic DownShift
Travel motors axial piston type, double displacement
Brakes automatic discs type
Final drive oil bath, planetary reduction
Gradeability 70% (35°)
Travel speeds low 0 -3.5 km/h / high 0 - 5.6 km/h
Drawbar pull 400 kN



UNDERCARRIAGE

Type variable gauge
X-frame undercarriage design
Reinforced track HD chain with sealed bushing

E485C LCH/BEH

Track rollers (each side)	9
Carrier rollers (each side)	3
Length of track on ground (mm)	4400
Minimum gauge (mm)	2390
Maximum gauge (mm)	2890
Shoes available (mm)	600-700 800-900

Shoe type Tractor type triple grouser shoe
No. for each side 50
Height of grouser shoe 36 mm



HYDRAULIC SYSTEM

High capacity double pumps with electronic delivery adjustment.
Variable displacement pistons pumps revert in neutral automatically to zero. Main Control Valve with Fail Safe Function and Anti drift valve.

H.A.O.A. (Hydrotronic Active Operation Aid)
E.S.S.C. (Engine Speed Sensing Control)
D.O.C. (Dipper Optimised Control)
C.P.B. (Continuous Power Boost)
New generation A.E.P. (Advanced Electronic Processor)

3 working Modes

H Mode - Heavy duty excavation work

S Mode - Standard digging and loading work

E Mode - Fuel Economy

Attachments Modes

Breaker (One-way hydraulic flow)

Nibbler (Two-way hydraulic flow)

Attachments flow and pressure setting from cab, 20 presets storage

Hydraulic pump

Max flow at rated engine speed 2 x 370 l/min

Piloting circuit gear type pump max 30 l/min

Directional control valves

Type 8-spool valve

System Pressures

Boom, Arm & Bucket 31.4 MPa

with Power Boost 34.3 MPa

Travel 34.3 MPa

Swing 25 MPa

Pilot control Circuit 5 MPa



CAPACITIES

Engine oil 42.5 l

Fuel tank 640 l

Hydraulic system (included 283 l tank) 530 l

Cooling system 47.4 l



SWING

Swing motor axial piston type

Swing brake hydraulic brake

Swing speed 0-7.8 rpm



CAB AND CONTROLS

Operator's cab

Structure Fully enclosed steel structure

EVO operator cab evolution in comfort and safety.

Optional can be compliant to ROPS (ISO 12117-2) and FOPS

(ISO 10262 level II) standards

Rear camera optional

Monitor integrated multi-function control monitor with integrated rear view camera display (if opt. selected)

Operator's seat

Operator's seat Adjustable and reclining device

Operation

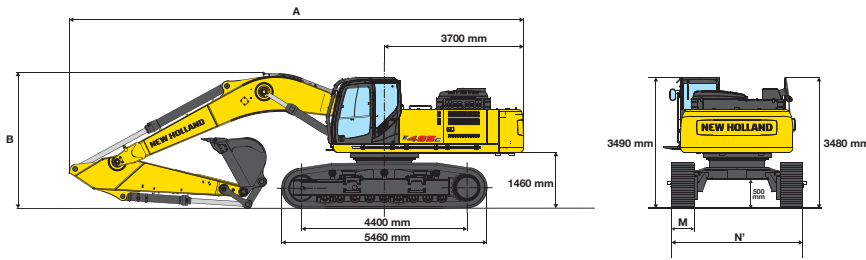
Travel Two hand levers or two foot pedals for forward and backward operations of each track independently

Excavating and swing Two hand levers for four operations

E485C

DIMENSIONS - MONOBOOM

Boom length 7.00 m



LCH VERSION

ARM		2900	3450	4040
A - Overall length	mm	12140	12080	12080
B - Boom height in transport position	mm	3750	3630	3630
Overall height	mm	3750	3630	3630

OPERATING WEIGHT - MONOBOOM

		LCH VERSION			
M - Shoe width	mm	600	700	800	900
N - Width (reduced for transportation)	mm	2990	3090	3190	3290
N' - Maximum width	mm	3490	3590	3690	3790

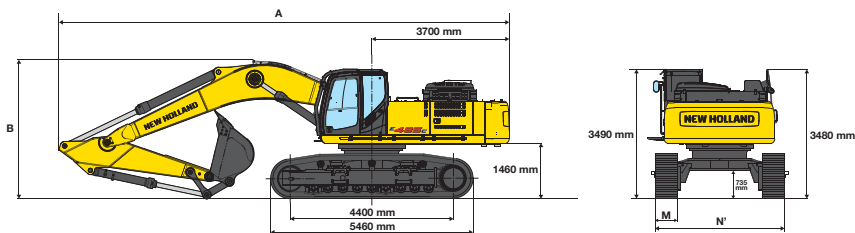
2900 ARM		LCH VERSION			
Operating weight	kg	49080	49630	50190	50740
Ground pressure	bar	0.91	0.79	0.7	0.63

3450 ARM		LCH VERSION			
Operating weight	kg	49260	49810	50360	50910
Ground pressure	bar	0.92	0.80	0.70	0.63

4040 ARM		LCH VERSION			
Operating weight	kg	49450	50000	50550	51100
Ground pressure	bar	0.91	0.79	0.70	0.63

DIMENSIONS - BEH

Boom length 6.30 m



ARM		2600
A - Overall length	mm	11490
B - Boom height in transport position	mm	3830
Overall height	mm	3830

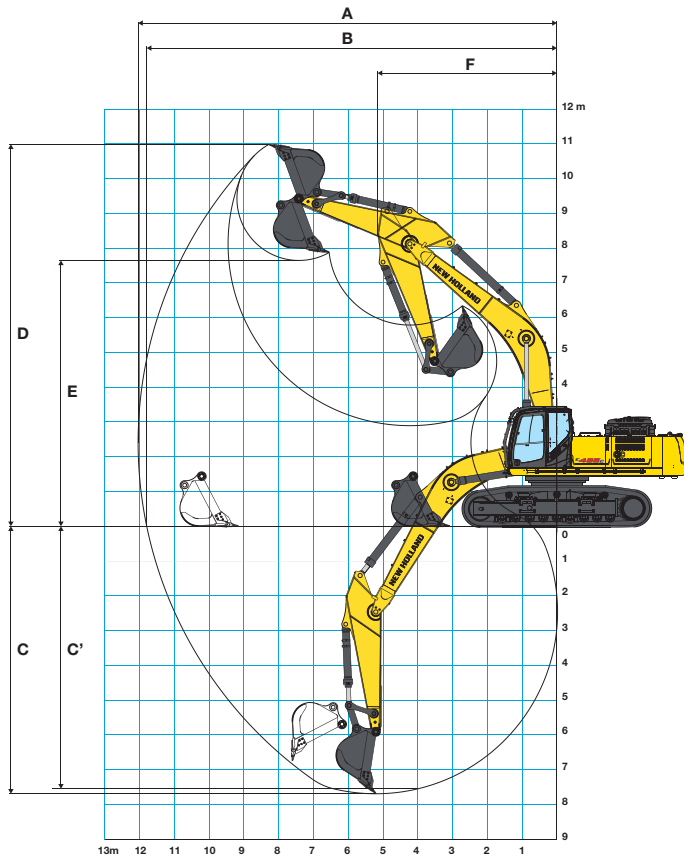
OPERATING WEIGHT - BEH

		BEH VERSION			
M - Shoe width	mm	600	700	800	900
N - Width (reduced for transportation)	mm	2990	3090	3190	3290
N' - Maximum width	mm	3490	3590	3690	3790

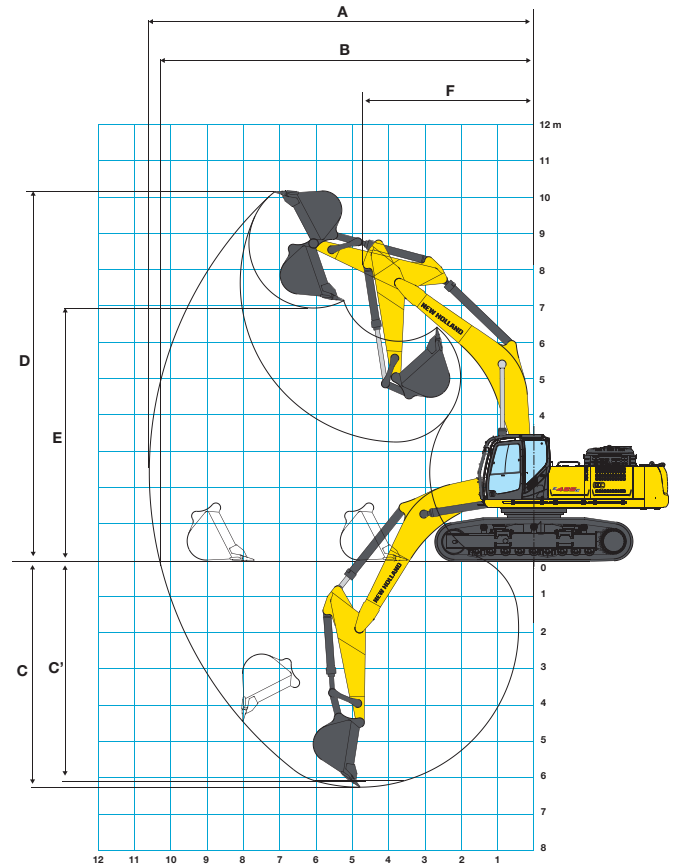
2600 ARM		LCH VERSION			
Operating weight	kg	48350	48900	49450	50000
Ground pressure	bar	0.90	0.77	0.69	0.62

DIGGING PERFORMANCE

MONOBOOM



BEH



ARM		MONOBOOM			BEH	
		2900	3450	4040	2600	
A	- Max. digging reach	mm	11520	12050	12540	10600
B	- Max. digging reach at ground level	mm	11260	11800	12310	10310
C	- Max. digging depth	mm	7140	7690	8280	6260
C'	- 2,4 mt level digging depth	mm	6980	7550	8150	6080
D	- Max. digging height	mm	10730	10990	11050	10150
E	- Max. dumping clearance	mm	7400	7650	7740	6940
F	- Min. swing radius	mm	5220	5160	5170	4710

BREAKOUT FORCE

ARM		daN	MONOBOOM			BEH
			2900	3450	4040	2600
Bucket		daN	24800	24800	24800	25390
Arm		daN	22640	19985	17945	23250

WITH "POWER BOOST" ON

ARM		daN	MONOBOOM			BEH
			2900	3450	4040	2600
Bucket		daN	27000	27000	27000	27740
Arm		daN	24780	21820	19580	25390

MONOBOOM

BUCKETS			E485C LCH		
Capacity (ISO 7451)		Weight	Arm mm		
Width	m ³	kg	2900	3450	4040
mm					
1320	1.66	1231			
1420	1.83	1328			
1550	2.05	1409			
1670	2.26	1468			

BEH

BUCKETS			E485C BEH
Capacity (ISO 7451)		Weight	Arm mm
Width	m ³	kg	2600
mm			
1320	1.66	1231	
1420	1.83	1328	
1550	2.05	1409	
1670	2.26	1468	
1740	2.60	1850	

General digging work (specific weight of material < 1.8 t/m³)

E485C

LIFTING CAPACITY - MONOBOOM

LCH VERSION - DIPPERSTICK 2900 mm

HEIGHT	RADIUS OF LOAD																AT MAX REACH REACH m
	1.5 m		3.0 m		4.5 m		6.0 m		7.5 m		9.0 m		AT MAX REACH				
	FRONT	SIDE	FRONT	SIDE	FRONT	SIDE	FRONT	SIDE	FRONT	SIDE	FRONT	SIDE	FRONT	SIDE			
+10.5 m										10.5*	10.5*			10.6*	9.8	8.56	
+9.0 m										11.2*	11.2*	10.6*	9.3	10.6*	8.9	9.30	
+7.5 m					19.3*	19.3*	14.6*	14.6*	12.3*	11.4	11.1*	9.1	10.8*	8.1	9.75		
+6.0 m					24.1*	22.6	16.9*	15.4	13.6*	11.4	11.8*	8.9	11.0	7.7	9.95		
+4.5 m					17.8*	17.8*	18.7*	14.8	14.7*	11.0	12.5*	8.7	10.9	7.6	9.93		
+3.0 m					22.0*	21.3	19.7*	14.4	15.5*	10.8	12.3	8.5	11.2	7.8	9.66		
+1.5 m		16.9*	16.9*	26.2*	21.7	19.7*	14.3	15.6*	10.7	12.3	8.5	12.1	8.4	9.14			
0 m		26.6*	26.6*	24.4*	22.0	18.8*	14.4	14.8*	10.7				13.0*	9.5	8.32		
-1.5 m		27.8*	27.8*	21.1*	21.1*	16.3*	14.7						13.4*	11.9	7.08		

LCH VERSION - DIPPERSTICK 4040 mm

HEIGHT	RADIUS OF LOAD																AT MAX REACH REACH m
	1.5 m		3.0 m		4.5 m		6.0 m		7.5 m		9.0 m		10.5 m		AT MAX REACH		
	FRONT	SIDE	FRONT	SIDE	FRONT	SIDE	FRONT	SIDE	FRONT	SIDE	FRONT	SIDE	FRONT	SIDE	FRONT	SIDE	
+9.0 m															7.4*	7.4*	8.80
+7.5 m												8.7*	8.7*		7.2*	7.2*	9.76
+6.0 m												9.1*	9.0		7.2*	7.1*	10.41
+4.5 m									10.7*	10.7*	9.8*	9.0	9.1*	7.2	7.3*	6.9	10.81
+3.0 m					20.1*	20.1*	14.8*	14.8*	12.1*	11.1	10.6*	8.9	9.7*	7.1	7.7*	6.6	11.00
+1.5 m					24.1*	22.1	17.1*	15.0	13.5*	11.0	11.5*	8.6	9.9	6.9	8.2*	6.5	10.97
0 m		10.2*	10.2*	24.2*	21.6	18.7*	14.4	14.6*	10.7	12.2*	8.4	9.8	6.8	9.1*	6.6	10.73	
-1.5 m	10.9*	10.9*	15.1*	15.1*	26.6*	21.3	19.4*	14.1	15.2*	10.4	12.0	8.2		10.0	7.0	10.27	
-3.0 m	16.0*	16.0*	21.0*	21.0*	25.8*	21.4	19.3*	14.0	15.2*	10.4	12.0	8.2		11.1	7.7	9.55	
-4.5 m	22.0*	22.0*	28.8*	28.8*	23.8*	21.4	18.0*	14.2	14.1*	10.5				11.9*	9.0	8.49	
-6.0 m		27.2*	27.2*	19.8*	19.8*	15.1*	14.1							12.4*	11.5	6.97	

LCH VERSION - DIPPERSTICK 3450 mm

HEIGHT	RADIUS OF LOAD																AT MAX REACH REACH m													
	1.5 m		3.0 m		4.5 m		6.0 m		7.5 m		9.0 m		AT MAX REACH																	
	FRONT	SIDE	FRONT	SIDE	FRONT	SIDE	FRONT	SIDE	FRONT	SIDE	FRONT	SIDE	FRONT	SIDE																
+9.0 m																	9.0*	9.0*	8.16											
+7.5 m																	9.7*	9.1	8.6*	8.6*	9.19									
+6.0 m																	10.4*	10.4*	9.2	8.8*	8.1	9.88								
+4.5 m																	13.4*	13.4*	11.6*	11.5	10.5*	9.2	8.8*	7.5	10.31					
+3.0 m																	22.2*	22.2*	15.9*	15.1	12.9*	11.5	11.3*	8.9	9.2*	7.1	10.50			
+1.5 m																	21.7*	21.7*	18.0*	14.8	14.2*	11.0	12.0*	8.6	9.9*	7.0	10.47			
0 m																	8.9*	8.9*	22.5*	21.2	19.3*	14.3	15.1*	10.7	12.3	8.5	10.3	7.2	10.22	
-1.5 m	11.6*	11.6*	15.6*	15.6*	26.6*	21.5	19.7*	14.1	15.5*	10.5	12.2	8.4	10.9	7.6	9.73															
-3.0 m	17.9*	17.9*	23.1*	23.1*	25.2*	21.6	19.1*	14.2	15.1*	10.5				12.1*	8.5	8.97														
-4.5 m																	30.8*	30.8*	22.5*	21.6	17.3*	14.4	13.4*	10.8			12.6*	10.2	7.84	
-6.0 m																												12.7*	12.7*	6.14

LIFTING CAPACITY - BEH

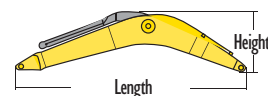
DIPPERSTICK 2600 mm

HEIGHT	RADIUS OF LOAD																AT MAX REACH REACH m																
	1.5 m		3.0 m		4.5 m		6.0 m		7.5 m		9.0 m		AT MAX REACH																				
	FRONT	SIDE	FRONT	SIDE	FRONT	SIDE	FRONT	SIDE	FRONT	SIDE	FRONT	SIDE	FRONT	SIDE																			
+7.5 m																																	
+6.0 m																																	
+4.5 m																																	
+3.0 m																																	
+1.5 m																																	
0 m																																	
-1.5 m																																	
-3.0 m																																	
-4.5 m																																	

As per ISO 10567 the indicated load is no more than 87% of hydraulic system lifting capacity or 75% of static tipping load. Values marked with an asterisk are limited by the hydraulic system.

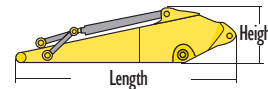
COMPONENT WEIGHTS & DIMENSIONS

BOOM		MONO BOOM 7.00 m	BEH 5.780 m
Length	mm	7260	6560
Height	mm	1750	1880
Width	mm	930	930
Weight	kg	3940	3830



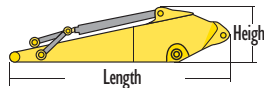
MONOBOOM - LCHVERSION

ARM		2900	3450	4040
Length	mm	4200	4730	5340
Height	mm	1140	1140	1130
Width	mm	540	540	540
Weight	kg	1840	2020	2230



BEHVERSION

ARM		2600
Length	mm	3900
Height	mm	1190
Width	mm	540
Weight	kg	1780



Counterweight	kg	10000
---------------	----	-------

STANDARD EQUIPMENT

- Engine 6 cylinders 10.5 liters E485C
- Engine 6 cylinders 7.7 liters E385C
- H.A. O.A. (Hydrotronic active operation aid)
- C.P.B. (Continuous Power Boost)
- Auto-Idling device
- Two travel speed with Automatic Down Shift device
- Tool box
- Centralized boom lubrication
- Centralised automatic lubrication (E485C only)
- Grease bath swing ring
- Rear mirror
- Two spot light on lifting boom
- Transparent cab roof and opening front window
- Mechanical seat suspension
- Adjustable armrests
- New generation A.E.P. (Advanced Electronic Processor)
- Multi-function control monitor, mode and attachments, selection, coolant temperature, fuel tank, and fuel economy. Menu functions for fuel economy graphing, maintenance schedules, system status.
- Auto-Idling mode selector
- Automatic air conditioner
- Radio USB&Bluetooth with speakers set
- Pressure drain switch
- Horn

OPTIONS

- Antitheft device
- Rotating beacon
- Cab additional lights and rain protection
- Cab front guard
- Lower frame cover
- Front and rear additional track guide
- Hydraulic quick coupler provision
- Object handling kit
- Heated air suspension seat
- Hammer and crusher circuit with foot control
- Hammer and crusher circuit HPC (Hydraulic Proportional Control)
- Hammer, crusher and extra circuit HPC (Hydraulic Proportional Control)
- One piece boom, BEH arm for mass excavation or triple articulation (only for the E385C)
- E485C Arm BEH :
2600 mm
- E485C Arm LCH:
2900 mm
3450 mm
4040 mm
- E485C Shoes LCH/BEH: 600 - 700 - 800 - 900 mm
Track chain with double grouser 600 mm
- E385C Arm BEH :
2150 mm XD
- E385C Arm EL/LC :
2330 mm
2600 mm
2600 mm XD
3300 mm
4150 mm
- E385C Shoes:
EL/BEH: 600 - 700 - 800 mm
LC: 600 - 700 - 800 - 900 mm
- Track chain with double grouser 600 mm

Note: standard and optional equipment may vary by country. Consult your NEW HOLLAND dealer for specific details.

PARTS AND SERVICE

The New Holland dealer network is, in itself, the best guarantee of continued productivity for the machines it delivers to its customers. New Holland service technicians are fully equipped to resolve all maintenance and repair issues, with each and every service point providing the high standards they are obliged to observe under New Holland's stringent quality guidelines. The New Holland global parts network ensures fast, reliable, replacement parts for less downtime, increased productivity and, of course, profitable operation for its customers.



AT YOUR OWN DEALERSHIP

The information contained in this brochure is intended to be of general nature only. The NEW HOLLAND CONSTRUCTION MACHINERY S.p.A. company may at any time and from time to time, for technical or other necessary reasons, modify any of the details or specifications of the product described in this brochure. Illustrations do not necessarily show products in standard conditions. The dimensions, weights and capacities shown herein, as well as any conversion data used, are approximate only and are subject to variations within normal manufacturing techniques.

Published by NEW HOLLAND CONSTRUCTION MACHINERY S.p.A.
Printed in Italy - MediaCross Firenze - Cod IR3301 NCGB - Printed 07/13

Printed on recycled paper
CoC-FSC 000010 CQ Mixed sources



www.newholland.com

